



---

**Model GPX.DC**  
**Dual Chamber Disc Style Coffee Grinder**



**Modern Process Equipment, Inc.**  
**3125 S. Kolin Av., Chicago, Illinois 60623**  
**Ph. (773) 254-3929 Fx. (773) 254-3935**



---

## **OVERVIEW**

The Model GPX.DC Dual Chamber Disc Style Coffee Grinder has two grinding heads, driven by a common motor, to produce different flavors, blends, or roasts of coffee without the need to clean out the grinder between runs. Each head utilizes a pair of precision cut "diamond hard" grinding plates to produce up to 400 lbs per hour of a full range of coffee grinds. The grinder utilizes a 5 HP (1200 RPM) motor to drive dual rotors, each with an auger feeder and a rotating grinding disc. The rotor also incorporates turbo vanes to maximize throughput and minimize product accumulation within the grinding head.

The gap between the rotating grinding disc and the stationary grinding disc (mounted directly opposite the rotating disc, on the grinder housing) determines the type of coffee grind produced. Turning the grind adjustment knob sets the gap between the grinding discs and provides the capability of "dialing in" any one of a full range of coffee grinds, from drip to espresso.

On "American" style coffees, it may be necessary to utilize the dechaffer on the GPX grinder. By utilizing the weight on the dechaffing arm, back pressure is exerted on the coffee being expelled from the grinder, thereby breaking up the "chaff" (broken coffee skin) which is released when the bean is ground. By moving the weight outward on the dechaffing arm, the back pressure and the resulting level of dechaffing is increased. When producing very fine coffees (melitta, espresso, turkish), the dechaffing level should be minimized or, in some cases, eliminated by removing the weight.

Each grinding head is operated separately; it is not possible to grind using both heads at the same time. Automatic feed gates are included on each grinding head, the gates open and close automatically to supply coffee to the grinding head that is in use.

## **PRIOR TO OPERATION FOR THE FIRST TIME**

Motor rotation should be checked prior to operation for the first time.

1. Open head #1 gate using the switch on the control panel.
2. Press the "Head 1 Grinder Start" button.
3. The head should rotate clockwise as viewed from the head #1 discharge end. The rotor can be seen by looking down through the open slide gate.



---

## **OPERATION AND MAINTENANCE**

Because of its uncomplicated design, the GPX.DC grinder is relatively simple to operate. In preparation for grinding coffee, simply fill the hopper with the desired amount of beans, set the dechaffer arm weight\*, "dial in" the desired grind on the grind adjustment knob, and place the feed gate control switch in automatic.

### **CAUTION!**

**TO AVOID GRINDER DAMAGE, THE GRINDER MUST BE ALLOWED TO COME TO A COMPLETE STOP (~10 SECONDS) PRIOR TO STARTING THE OPPOSITE HEAD**

To start grinding, simply press the Start button for the grinding head. The motor will start and the feed gate will open automatically.

To stop grinding but leave the grinding head running, turn the gate control knob to close. This is useful when filling small bags, for example. It is preferred to open and close the feed gate rather than start and stop the motor.

When the grinding run is complete, lift the dechaffer arm to remove any excess coffee, and press the Stop button. The feed gate will shut automatically.

To switch grinding heads, simply stop the grinder and restart the other head.

\* As a starting point, the dechaffer arm weight should be set at 1/2 the arm distance for medium to coarse grinds, and at the bottom of the arm (fully toward the machine) for finer grinds.

### **Gate Control Switch**

The feed gate control switch has three positions.

Open – The feed gate will open when the grinding head is in use.

Close – The feed gate stays closed.

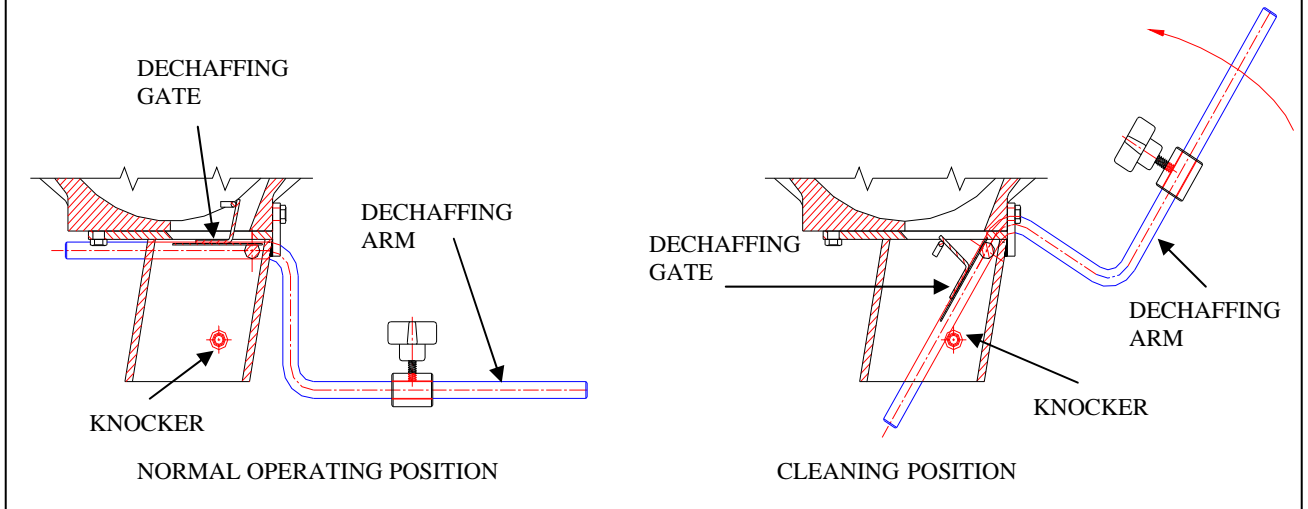
Auto – The feed gate automatically opens when the grinding head starts and automatically shuts when the head stops.



**NOTE**

**TO REMOVE ANY COFFEE BUILDUP ABOVE DECHAFFING GATE, SWING THE DECHAFFING ARM UPWARD UNTIL IT IMPACTS ON THE "KNOCKER", AS SHOWN IN THE DRAWING BELOW.**

**DO NOT PUSH OR FORCE HANDLE DOWN**



To change the grind range on the grind adjustment knob, loosen the knob set screws, rotate the adjusting screw in the middle of the knob (Clockwise=Finer) to the desired point, and retighten the knob set screws.

**CAUTION!**

**LOCK OUT OR DISCONNECT MOTOR PRIOR TO ATTEMPTING WORK,  
REPAIR OR REMOVAL OF COVER FROM THIS UNIT.**

On occasion, the grinder will require disassembly for cleaning and/or grinding disc replacement. To disassemble, remove the front cover after first removing the (3) front cover screw knobs. After the front cover has been removed, the rotor can be pulled out either by hand or by utilizing "ejector screws" on the rotor insert (part #11 on drawing SG-4395C) which, when screwed in, act against the motor shaft to force the rotor out. Refer to drawing SG-4395C for further details on the internal construction of the grinder.

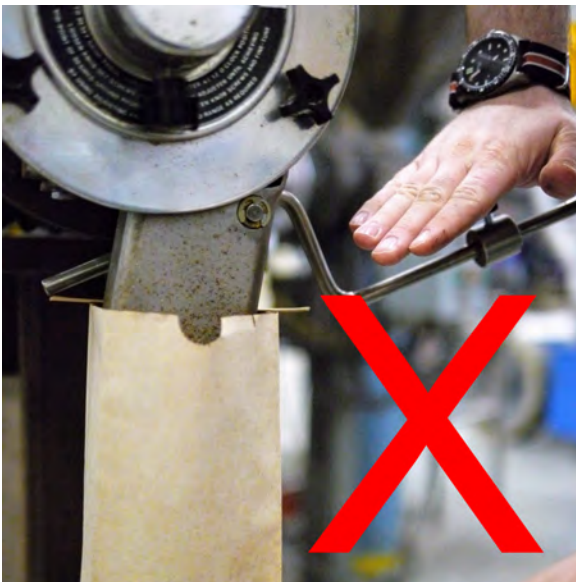
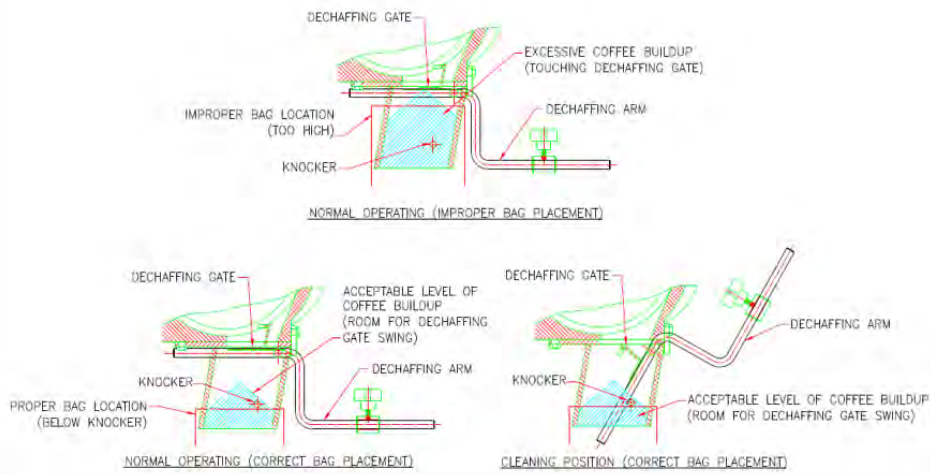


**NOTE**

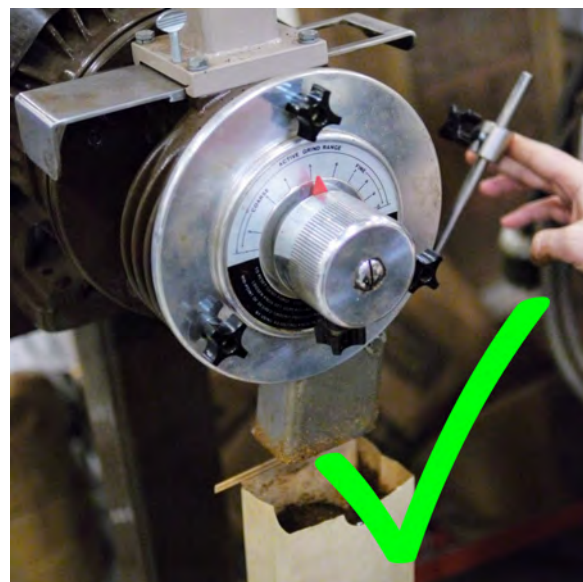
**TO REMOVE ANY COFFEE BUILDUP ABOVE DECHAFFING GATE, SWING THE DECHAFFING ARM UPWARD UNTIL IT IMPACTS ON THE 'KNOCKER', AS SHOWN IN THE DRAWING BELOW.**

**DO NOT PUSH OR FORCE HANDLE DOWN**

**DO NOT PLACE BAG ABOVE THE KNOCKER OR ALLOW COFFEE TO BUILD UP UNDER THE DECHAFFING GATE**



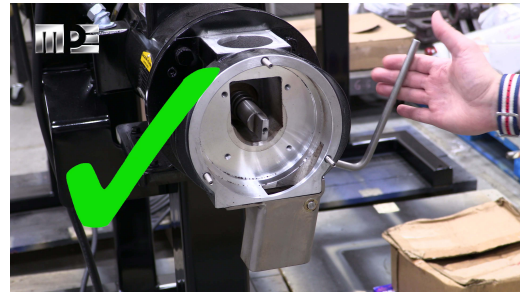
Don't push down on the dechaffing arm as this may damage the dechaffing gate.



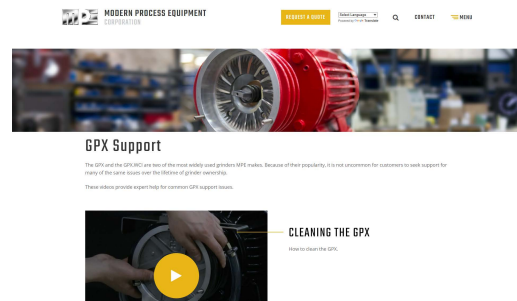
Do lift up the dechaffing arm and lower the coffee bag at the end of grinding. This empties the burr housing.



Video on how to use and not use a dechaffing gate.



MPE webpage for troubleshooting common GPX issues.



How to install a dechaffing gate and add a dechaffing arm.



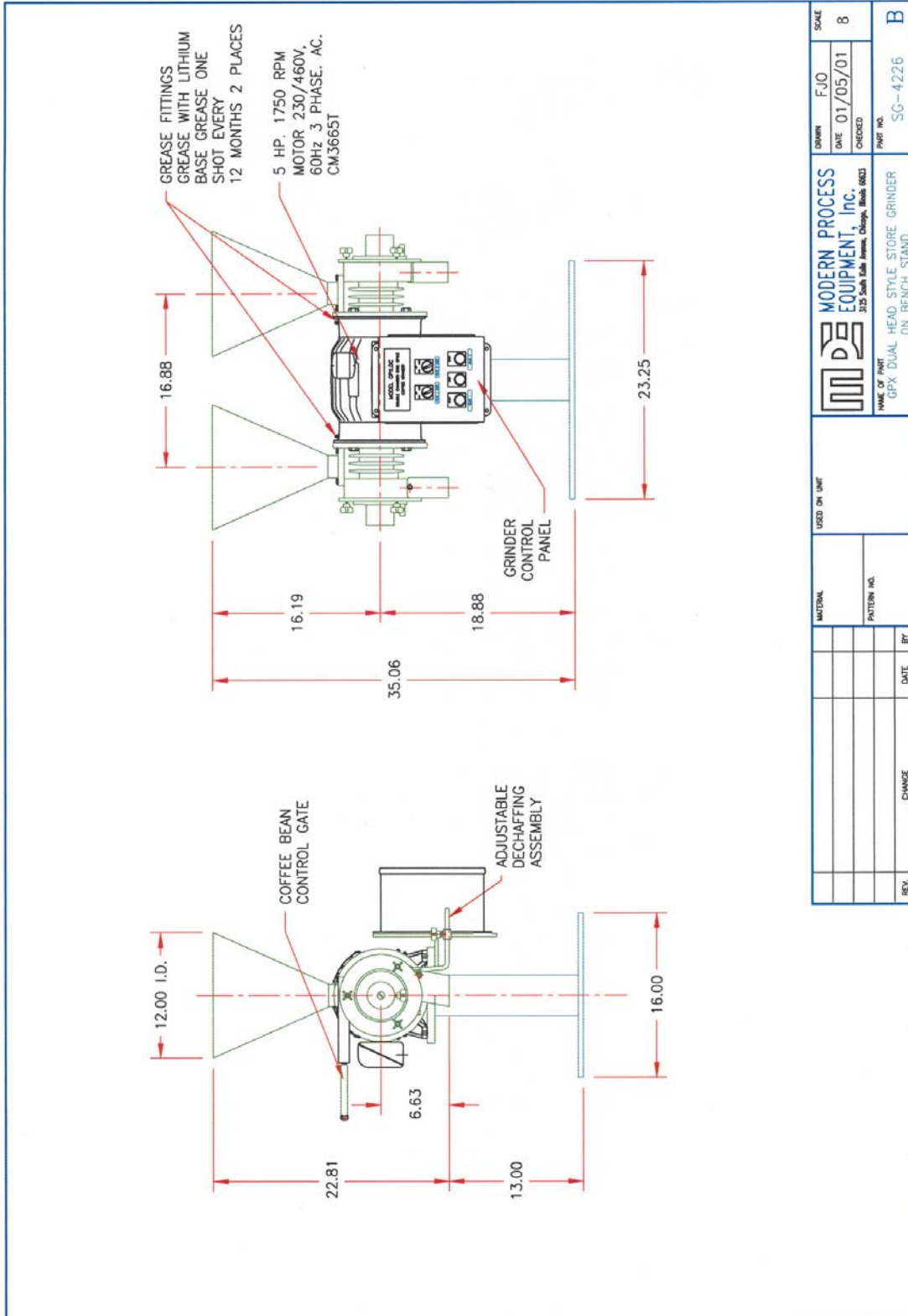


---

## Drawings

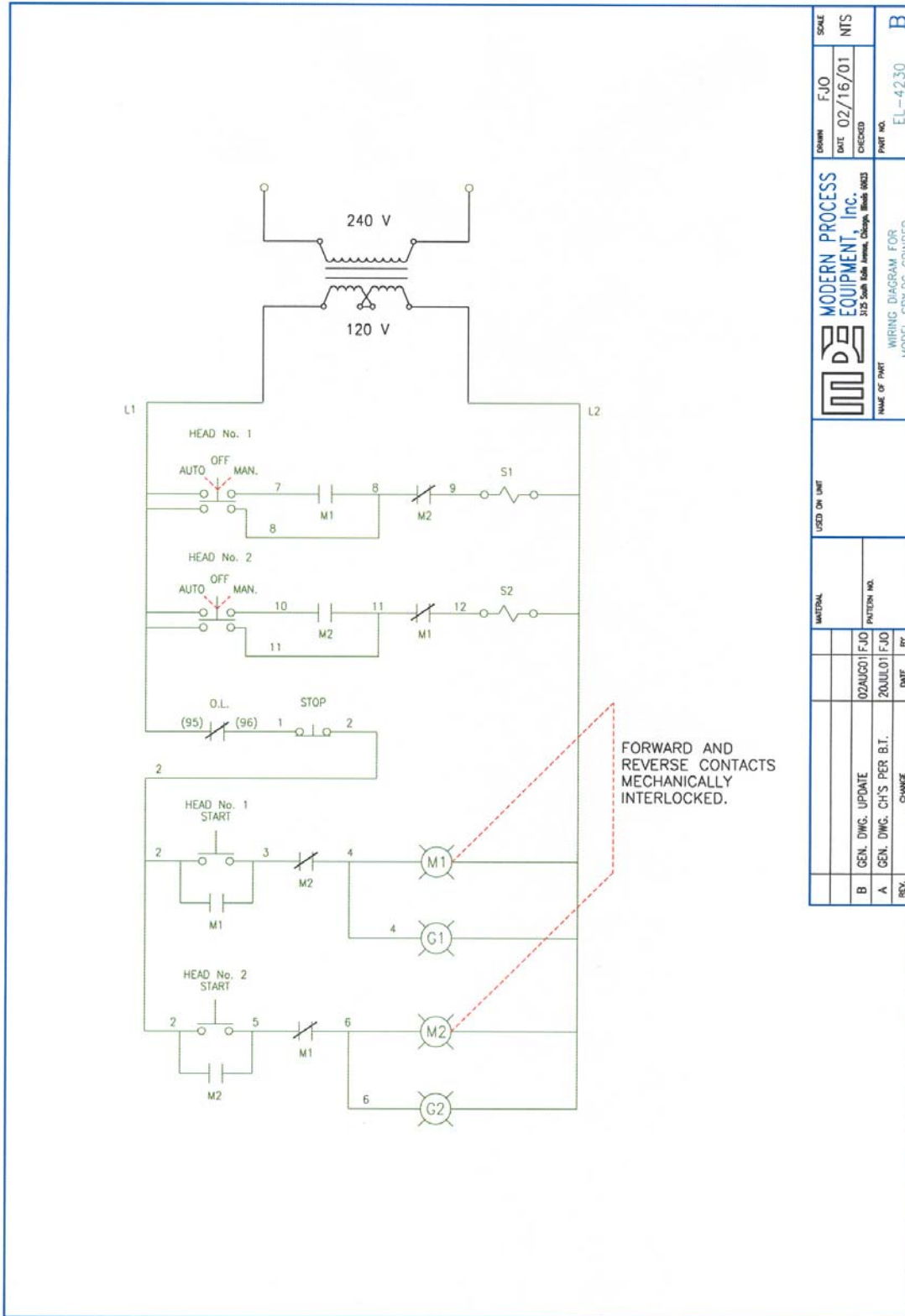
GPX Dual Head Style Store Grinder on Bench Stand	SG-4226B
Wiring Diagram for Model GPX.DC Grinder	EL -4230B
GPX Dual Head Style Store Grinder on Stand with 8/50 lb. Hoppers	SG-4308C
Model GPX.DC Disc Style Grinder Part List	SG-4395C

# Model GPX.DC Dual Chamber Disc Style Coffee Grinder



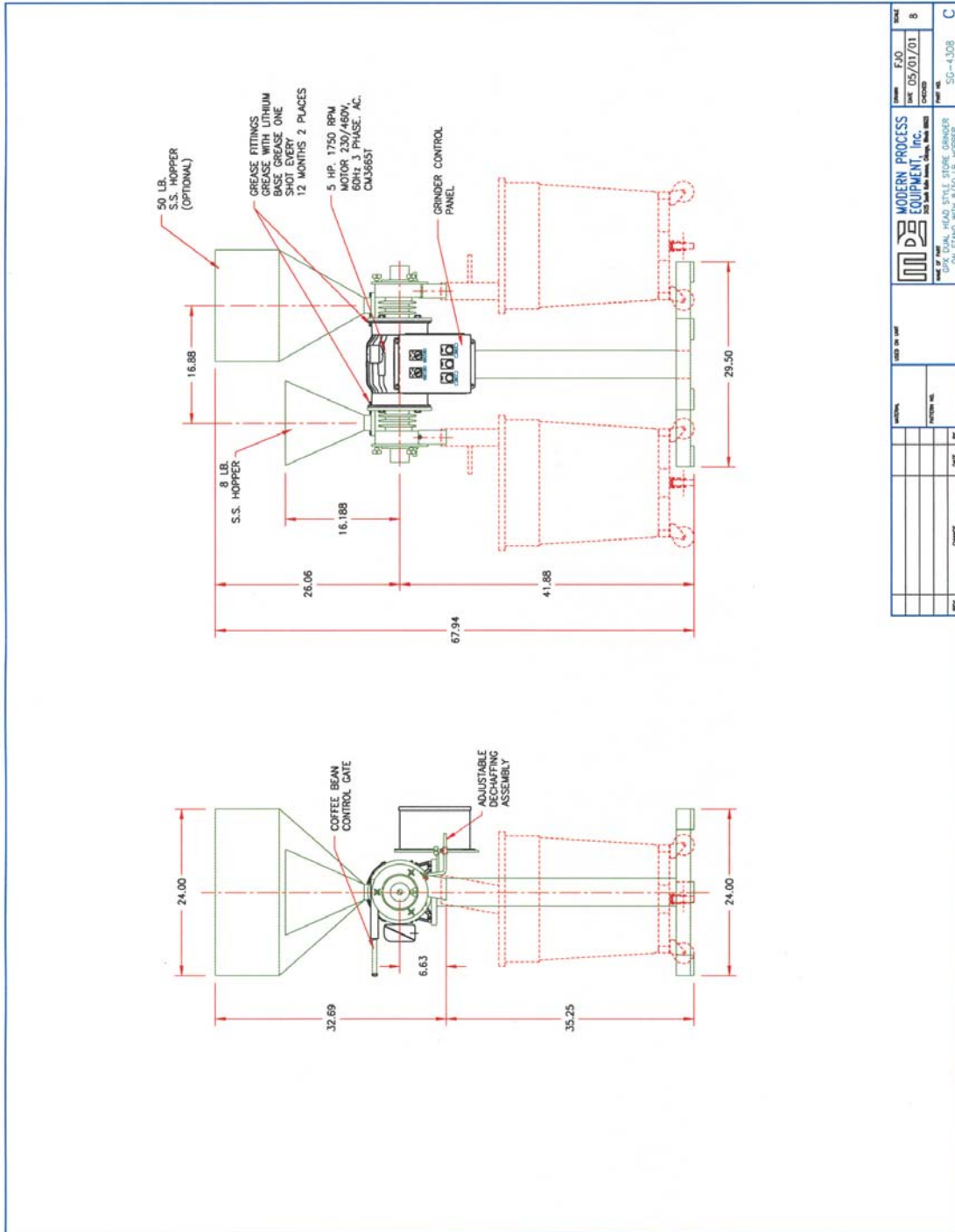


# Model GPX.DC Dual Chamber Disc Style Coffee Grinder



SCALE	FJO	NTS
DATE	02/16/01	
CHECKED		
PART NO.	EL-4230	
 MODERN PROCESS EQUIPMENT, Inc. 312 South Main Street, Chicago, Illinois 60603		
WIRING DIAGRAM FOR MODEL GPX.DC GRINDER		
USED ON UNIT		
MATERIAL		
PATTERN NO.		
REV.		
B	GEN. DWG. UPDATE	02AUG01 FJO
A	GEN. DWG. CH'S PER B.T.	20JUL01 FJO
	CHANGE	

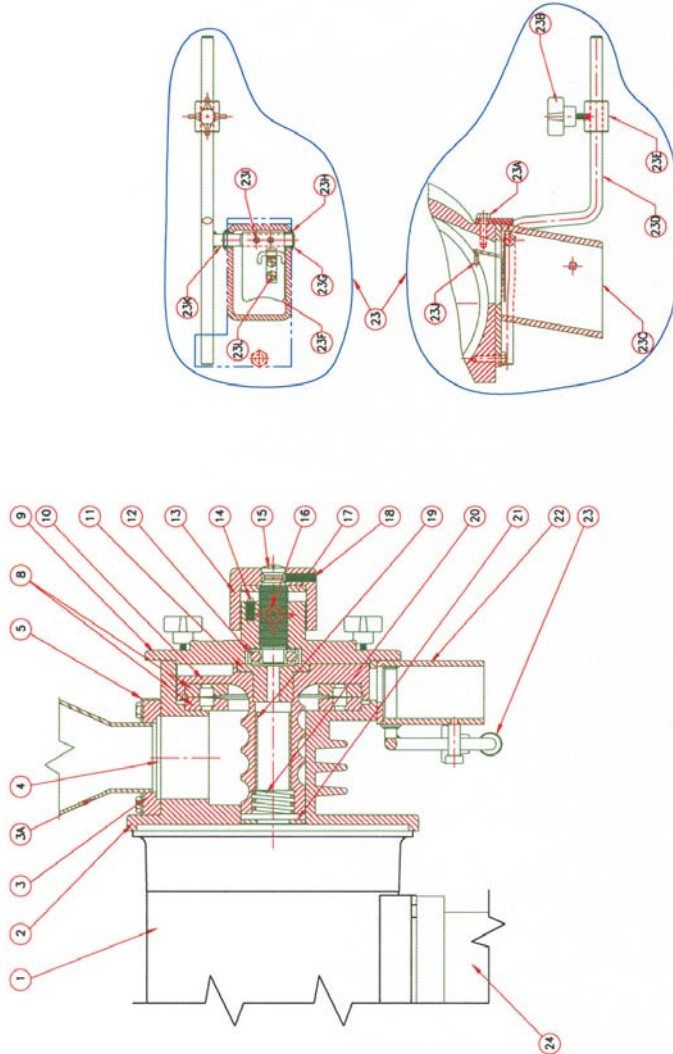
# Model GPX.DC Dual Chamber Disc Style Coffee Grinder



# Model GPX.DC Dual Chamber Disc Style Coffee Grinder



ITEM	QTY.	DESCRIPTION
1	1	5 HP. MOTOR
2	2	BURR HOUSING
3	2	HOPPER BASE
3A	2	HOPPER
4	2	SLIDE GATE ASSEMBLY
4A	2	SLIDE GATE
4B	2	AIR CYLINDER (2 STROKE)
4C	2	ROD CLEVIS WITH PIN
4D	2	MOUNTING NUT
4E	4	CYLINDER FITTINGS
5	4	CYLINDER HOSE
6	4	GRINDING BURRS
7	2	END CAP
8	2	ROTOR
9	2	ROTOR INSERT
10	2	BALL BEARING
11	2	DIAL INDICATOR KNOB
12	2	SPRING PLUNGER
13	2	ADJUSTING SCREW
14	4	PRONG PLASTIC KNOB
15	2	DETENT PLATE
16	2	LOCKING SET SCREW
17	2	BRONZE ROTOR BUSHING
18	2	SPRING
19	2	THRUST WASHER
20	2	DISCHARGE
21	2	DECHAFFING ASSEMBLY
22	2	1/4"-20 X 1/2" HEX BOLT
23	2	PLASTIC KNOB 1/4"-20 STUD
23A	2	DISCHARGE SPOUT
23B	2	83/8 C.R.R. CWT ROD
23C	2	83/4 X 1.3/32 I.D. X 1 CWT
23D	2	GATE
23E	2	RETAINING RING
23F	4	FLANGED BUSHING
23G	4	6-32 X 1/4" PHILIPS HEAD
23H	2	GATE KNOCKER
23I	2	PIVOT AXLE
23J	2	8-32 X 1/4" SLT. HEAD
23K	2	STAND MOUNTING STAND
24	1	STAND



DATE	REV.	CHANGED	BY	DATE

**MODERN PROCESS EQUIPMENT, Inc.**  
 100 West Main Street, Suite 100  
 Westerville, Ohio 43081  
 (614) 891-1100

FORM	F20
DATE	07/19/01
ISSUED	1/2
TITLE	SG-4395 C

