



Model GPX
Precision Disc Style Coffee Grinder



Modern Process Equipment, Inc.
Chicago, Illinois

OVERVIEW



The Model GPX Disc Style Coffee Grinder utilizes precision cut "diamond hard" grinding plates to produce up to 400 lb per hour of a full range of coffee grinds. The grinder utilizes a 3 HP (1800 RPM) motor to drive a rotor, which incorporates an auger feeder and a rotating grinding disc. The rotor also incorporates turbo vanes to maximize throughput and minimize product accumulation within the unit.

The gap between the rotating grinding disc and a stationary grinding disc, which is mounted directly opposite on the grinder housing, determines the type of coffee grind produced. The machine's grind adjustment knob utilizes a screw assembly and thrust bearing to vary the position of the rotor on the motor shaft and, consequently, adjust the gap between the grinding discs. This disc gap variance provides the capability of "dialing in" any one of a full range of coffee grinds, from drip to espresso.

On "American" style coffees, it may be necessary to utilize the dechaffer on your GPX grinder. By utilizing the weight on the dechaffing arm, back pressure is exerted on the coffee being expelled from the grinder, thereby breaking up the "chaff" (broken coffee skin) which is released when the bean is ground. By moving the weight outward on the dechaffing arm, the back pressure and the resulting level of dechaffing is increased. When producing very fine coffees (melitta, espresso, turkish), the dechaffing level should be minimized or, in some cases, eliminated by removing the weight.

OPERATION AND MAINTENANCE

Because of its uncomplicated design, the GPX grinder is relatively simple to operate. Prior to starting the grinder, ensure that the coffee bean control gate is fully closed. To grind coffee, simply start the grinder, fill the hopper with the desired amount of beans, set the dechaffer arm weight, "dial in" the desired grind on the grind adjustment knob, and open the bean control gate. As a starting point, the dechaffer arm weight should be set at 1/2 the arm distance for medium to coarse grinds, and at the bottom of the arm (fully toward the machine) for finer grinds. When the grinding run is complete, close the control gate, lift the dechaffer arm to remove any excess coffee, and shut down the grinder.

To change the grind range on the grind adjustment knob, loosen the knob set screws, rotate the adjusting screw in the middle of the knob (Clockwise=Finer) to the desired point, and retighten the knob set screws.

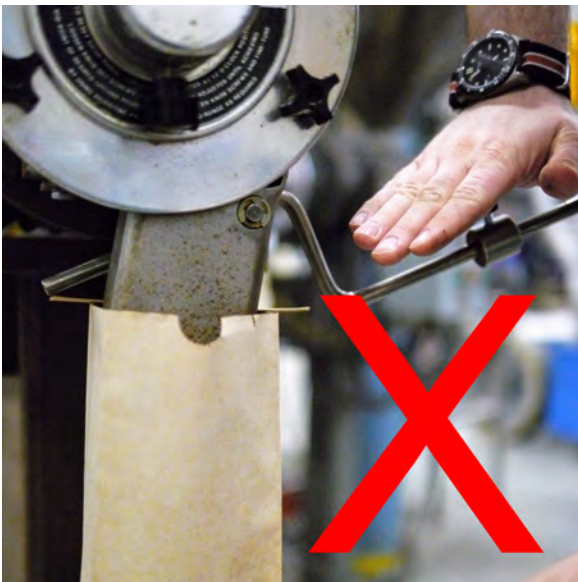
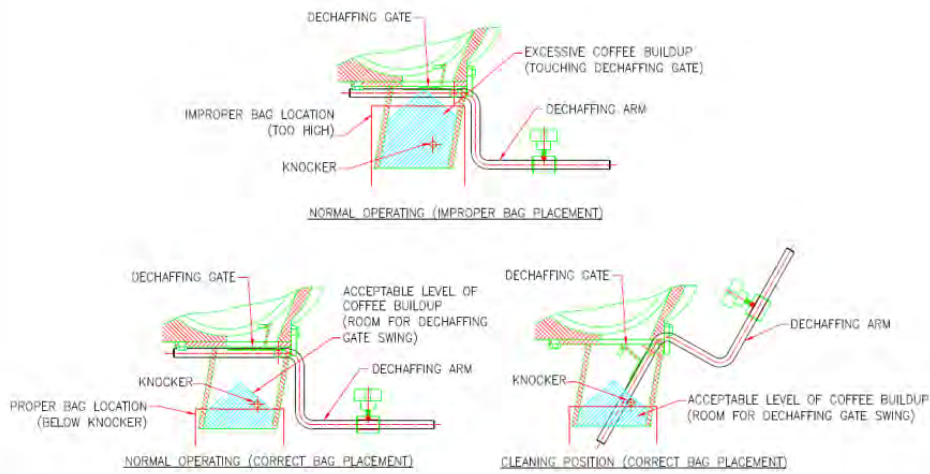


NOTE

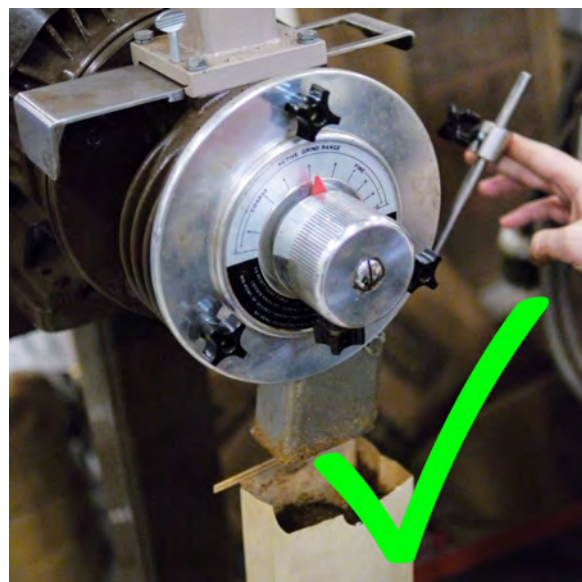
TO REMOVE ANY COFFEE BUILDUP ABOVE DECHAFFING GATE, SWING THE DECHAFFING ARM UPWARD UNTIL IT IMPACTS ON THE 'KNOCKER', AS SHOWN IN THE DRAWING BELOW.

DO NOT PUSH OR FORCE HANDLE DOWN

DO NOT PLACE BAG ABOVE THE KNOCKER OR ALLOW COFFEE TO BUILD UP UNDER THE DECHAFFING GATE



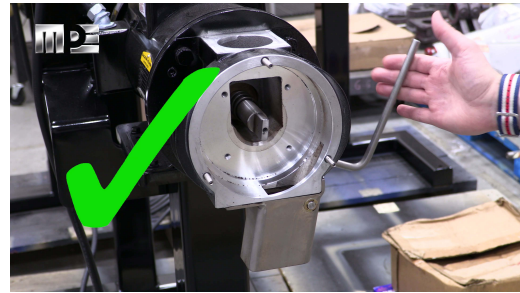
Don't push down on the dechaffing arm as this may damage the dechaffing gate.



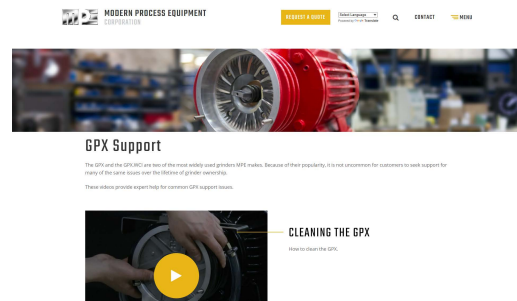
Do lift up the dechaffing arm and lower the coffee bag at the end of grinding. This empties the burr housing.



Video on how to use and not use a dechaffing gate.



MPE webpage for troubleshooting common GPX issues.



How to install a dechaffing gate and add a dechaffing arm.





NOTE

PRIOR TO OPERATING THIS UNIT, ASCERTAIN THAT THE (3 PHASE) DRIVE MOTOR IS OPERATING IN A CLOCKWISE DIRECTION (FROM THE MOTOR SHAFT END).

CAUTION!

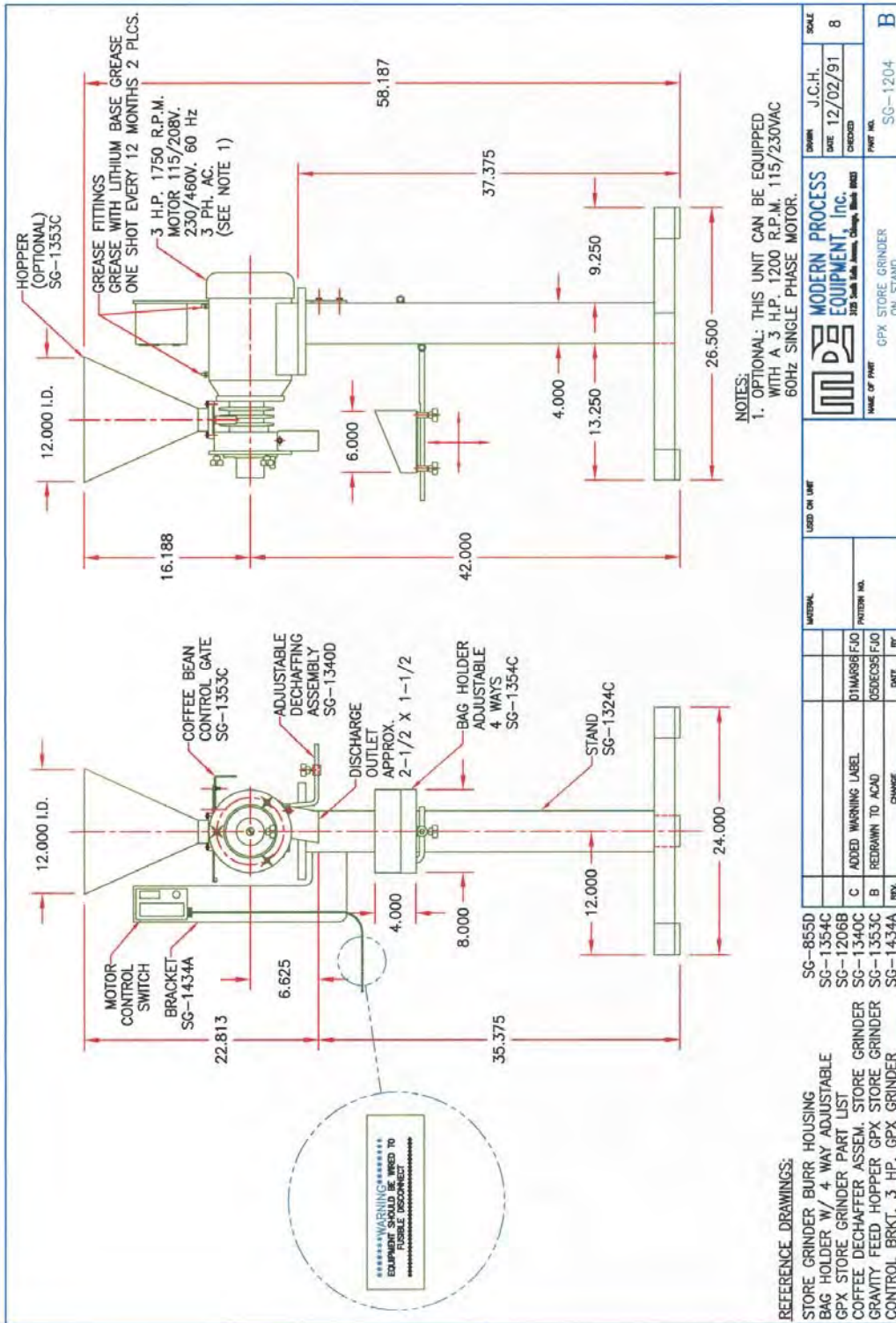
LOCK OUT OR DISCONNECT MOTOR PRIOR TO ATTEMPTING WORK, REPAIR OR REMOVAL OF COVER FROM THIS UNIT.

On occasion, the grinder will require disassembly for cleaning and/or grinding disc replacement. To disassemble, remove the front cover after first removing the (3) front cover screw knobs. After the front cover has been removed, the rotor can be pulled out either by hand or by utilizing "ejector screws" on the rotor insert (part #4 on drawing SG-1206-B) which, when screwed in, act against the motor shaft to force the rotor out. Refer to drawing SG-1206-B for further details on the internal construction of the grinder.

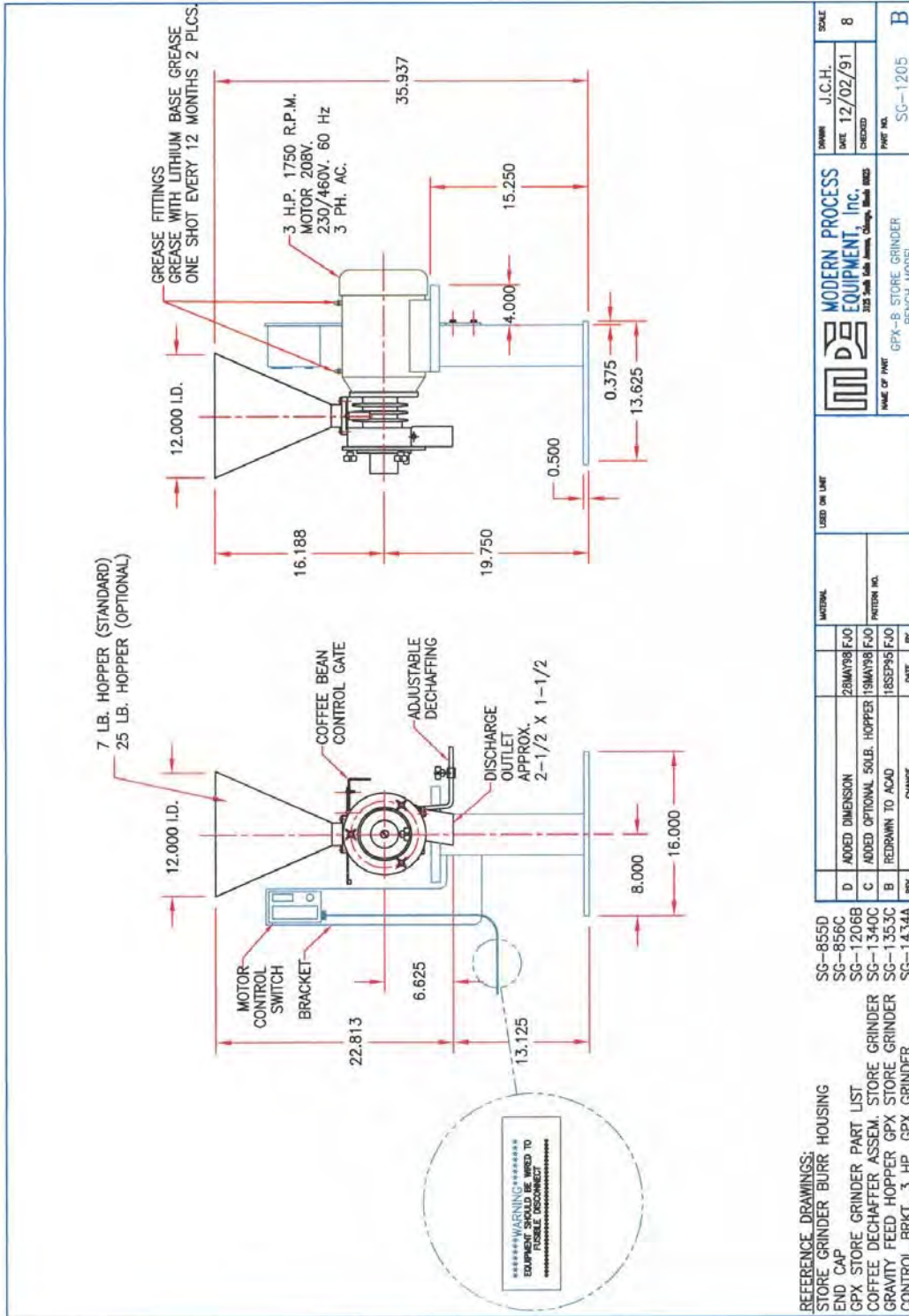
Drawings

GPX Store Grinder on Stand	SG-1204B
GPX-B Store Grinder Bench Model	SG-1205B
Model GPX Disc Style Grinder Parts List	SG-1206B
5-10 HP, Starter/Wiring for GP-140/GPX Grinder	EL-1520D
Single Phase 230V Diagram, GPX 3 HP. Starter	EL-1521B
Three Phase Full Voltage, GPX 3 HP. Starter	EL-1522B
Model GPX Disc Style Coffee Grinder With Parts List	SG-2520C

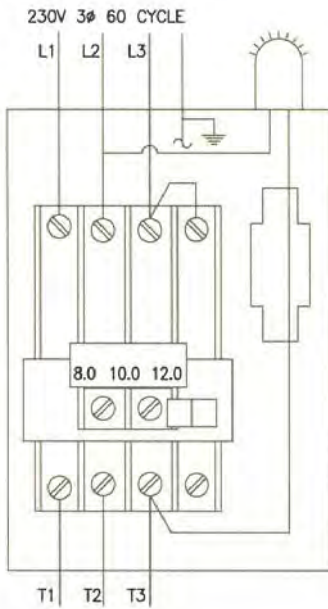
Model GPX Precision Disc Style Coffee Grinder



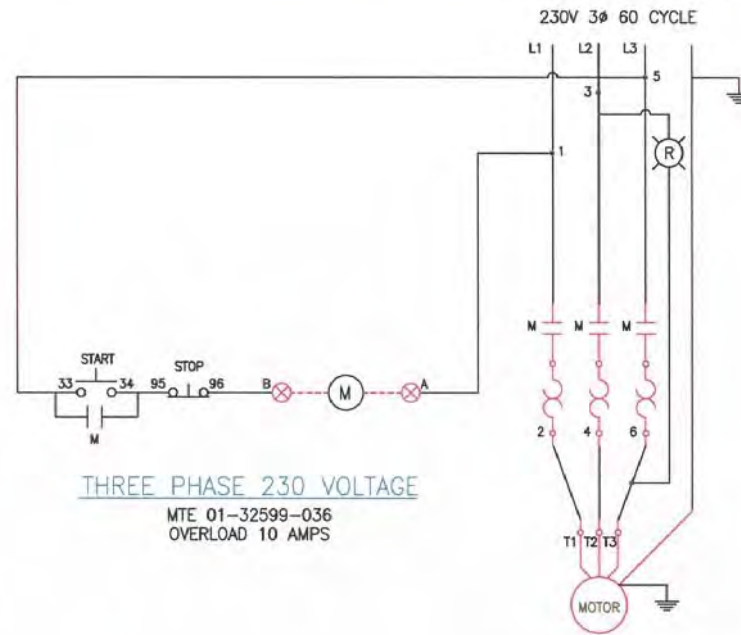
Model GPX Precision Disc Style Coffee Grinder



MUST BE CONNECTED TO FUSEABLE DISCONNECT



MUST BE CONNECTED TO FUSEABLE DISCONNECT



THREE PHASE 230 VOLTAGE

MTE 01-32599-036
OVERLOAD 10 AMPS

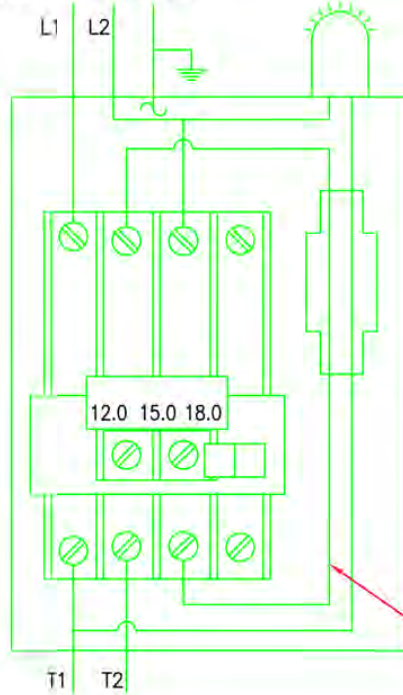
NOTES:

1. POWER SUPPLY CORD 14-3 SOW-CORD X 20'-0 LG.
2. CORD ENTERS START THRU BOTTOM.
3. FOR 440V 3Ø SEE EL-1520C.

				MATERIAL	USED ON UNIT	 MODERN PROCESS EQUIPMENT, Inc. <small>3129 South Kelly Avenue, Chicago, Illinois 60632</small>	DRAWN P/J DATE 03/01/93 CHECKED	SCALE NTS
B	GENERAL DRAWING CHANGES	20FEB96	FJO	PATTERN NO.			NAME OF PART THREE PHASE FULL VOLTAGE GPX 3 HP. STARTER	PART NO. EL-1522
A	REDRAWN TO ACAD	07FEB96	FJO					
REV.	CHANGE	DATE	BY					

MUST BE CONNECTED TO FUSEABLE DISCONNECT

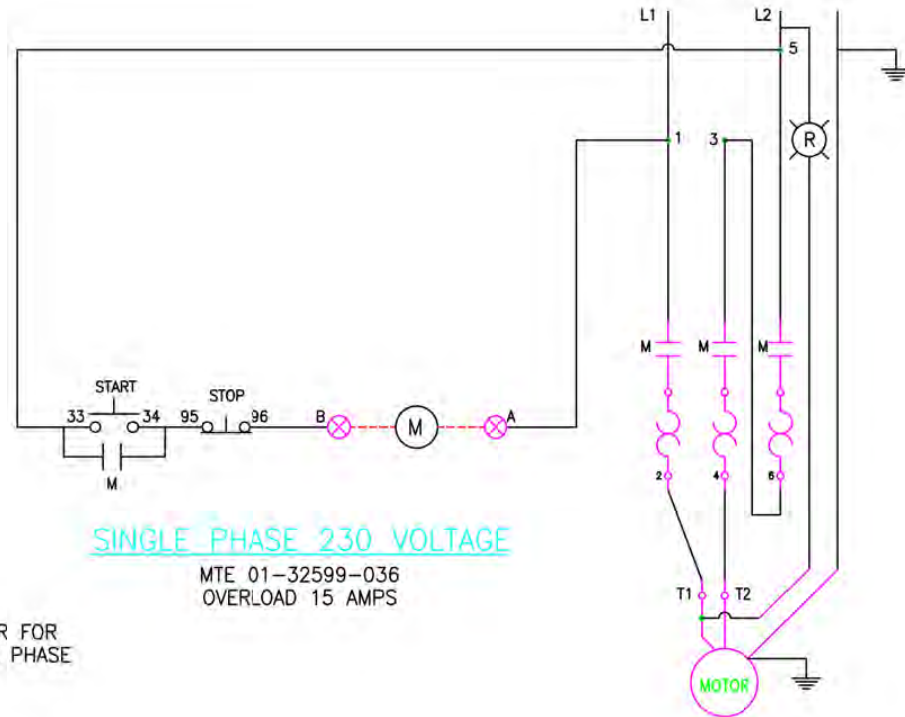
230V 1Ø 60 CYCLE



JUMPER FOR SINGLE PHASE

MUST BE CONNECTED TO FUSEABLE DISCONNECT

230V 1Ø 60 CYCLE




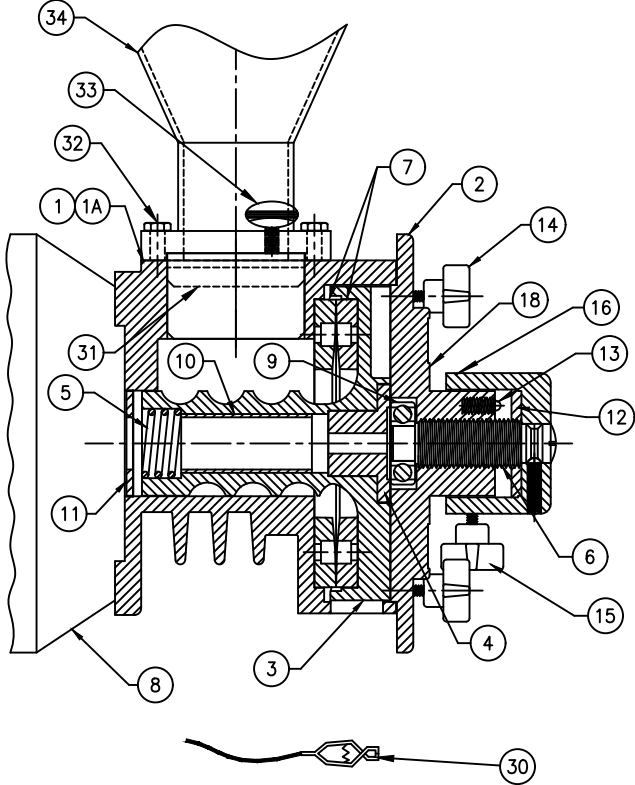
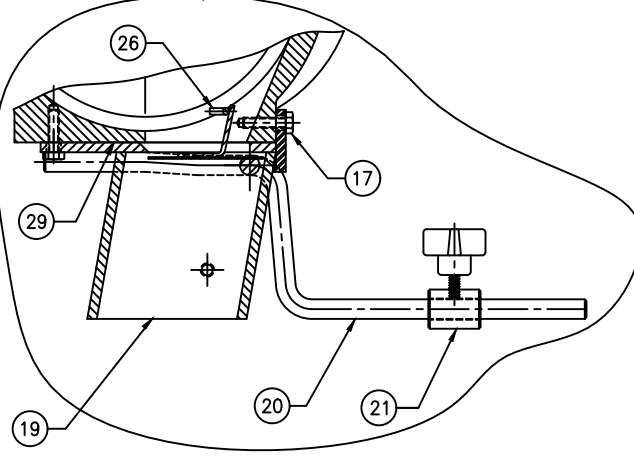
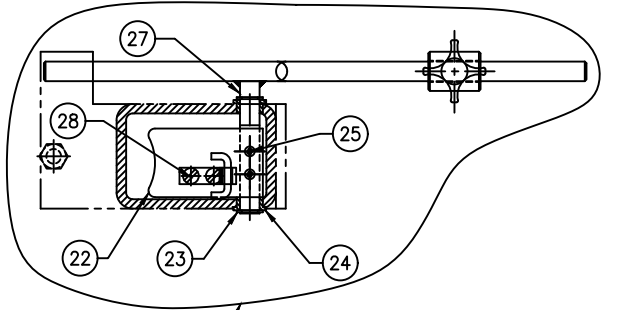
SINGLE PHASE 230 VOLTAGE

MTE 01-32599-036
OVERLOAD 15 AMPS

NOTES:

1. POWER SUPPLY CORD 14-3 SOW-CORD X 2Ø
2. CORD ENTERS START THRU BOTTOM.

				MATERIAL	USED ON UNIT	 MODERN PROCESS EQUIPMENT, Inc. 3125 South Kelle Avenue, Chicago, Illinois 60623	DRAWN P/J DATE 03/01/
B	GENERAL DRAWING CHANGES	20FEB96	FJO	PATTERN NO.			CHECKED
A	REDRAWN TO ACAD	07FEB96	FJO			NAME OF PART	PART NO.
REV.	CHANGE	DATE	BY			SINGLE PHASE 230V DIAG. OPX 3 HP. STARTER	EL-153



MOTORS						
ITEM	QTY.	HP.	R.P.M.	FRAME	VOLTS	PHASE
8	3	1725	184C	184C	230/460	3
				184TC	115/208-230	SINGLE
				56C		

HOPPERS			
ITEM	QTY.	PART #	DESCRIPTION
34	1	5-SG-04310	25 LB HOPPER (SS OPTION)
		5-SG-04311	50 LB HOPPER (SS OPTION)
		5-SG-04307	75 LB HOPPER (SS OPTION)

ITEM	QTY.	PART #	DESCRIPTION
1	1	3-SG-00855	BURR HOUSING (56C FRAME)
1A	1	SG-1336D	BURR HOUSING (184C FRAME)
2	1	3-SG-00856	END CAP
3	1	3-SG-00857	ROTOR
4	1	3-SG-00858	ROTOR INSERT
5	1	2-SG-01349	SPRING
6	1	3-SG-00891	ADJUSTING SCREW
7	2	3-SG-04677	GRINDING BURRS
8	1		MOTOR (SEE CHART TO THE LEFT)
9	1	MEC-1055	BALL BRG. SKF 6203 2RS
10	1	MEC-1055	SINTERED BRG.
11	1	HAR-1708	1" I.D. X 1-1/8" O.D. X 2-1/2" THRU WASHER
			1" X 2" X 1/8" THK.
12	1	HAR-1802	DETENT PLATE
13	1	HAR-1800	SPRING PLUNGER SSS-59-N
14	4	HAR-1801	4 PRONG PLASTIC KNOBS
15	1	HAR-1803	4 PRONG PLASTIC KNOBS
16	1	3-SG-01419	DIAL INDICATOR KNOB
17	1	HAR-1703	1/4"-20 X 1 1/2" HEX BOLT
19	1	3-SG-11487	DISCHARGE SPOUT
20	1	3-SG-11488	ø3/8 C.R.R. CTWT ROD
21	1	3-SG-11511	ø3/4 X 13/32 I.D. X 1 CTWT
22	1	3-SG-11490	GATE
23	2	3-SG-11490	RETAINING RING
24	2	MEC-1580	FLANGED BUSHING
25	2	HAR-1154	6-32 X 1/4" PHILIPS HEAD
26	1	3-SG-11489	GATE KNOCKER
27	1	MEC-1578	BUSHING
28	1	HAR-1155	8-32 X 1/4" SLT. HEAD
29	1	MAT-1005	BROWN FELT
30	1	HAR-1809	ALLIGATOR WIRE CLIP (GROUND)
31	1	3-SG-03133	MANUAL SLIDE GATE
32	4	HAR-1237	1/4-20X1-1/4 BOLT+LK WSHR
33	1	HAR-1567	1/4-20X1 THUMB SCREW

FOR MODEL WITH PRODUCT SEALS SEE DWG SG-7315 (INCLUDES PART NOS 36-38)

REV.	CHANGE	DATE	BY	REV.	CHANGE	DATE	BY
				D	ADDED SLIDE GATE BOLTS, THUMB SCREW, & HOPPERS - ITEMS 39-42	22MAY08	MPC
				C	ADDED ITEM NO. 35	26SEP02	FJO
F	UPDATED DWG NUMBER AND PART LIST NUMBERS	21MAR17	PR	B	UPDATED ITEM 18 PER B.T.	17JUL02	FJO
E	ADDED DISCHARGE GASKET	4/27/15	MAB	A	ADDED BUBBLE FOR PART No. 18	31DEC97	FJO

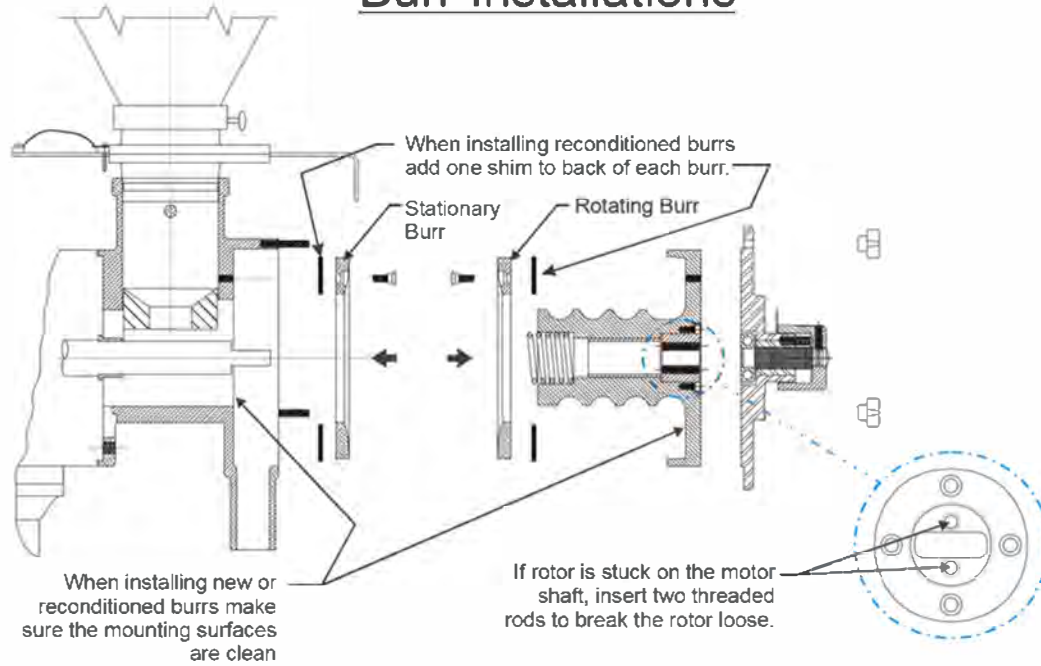
MATERIAL	USED ON UNIT
PATTERN NO.	



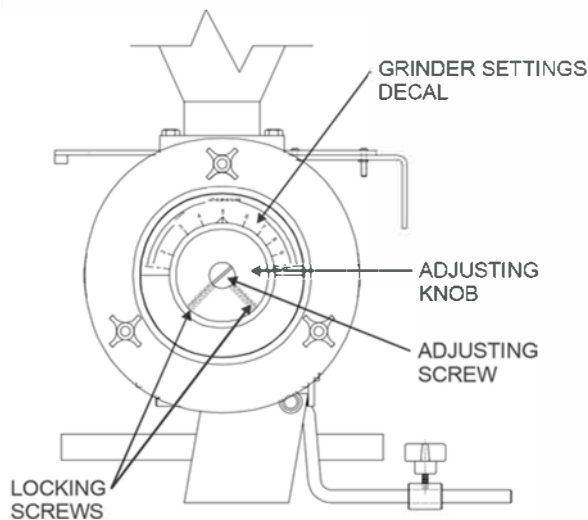
DRAWN	FJO	SCALE	2.5
DATE	12/01/95		
CHECKED			
NAME OF PART	MODEL GPX DISC STYLE COFFEE GRINDER WITH PARTS LIST	PART NO.	5-SG-02520 B



Burr Installations



Zero Adjust Procedure



1. After fully assembling grinder, turn grinder on.
2. Loosen locking screws
3. Rotate the knob to grind setting No. 10.
4. With a screwdriver turn adjusting screw clockwise until burrs touch lightly.
5. Tighten locking screws.
6. For GPX grinders turn knob counterclockwise to grind setting No. 8, For GPC grinders turn knob counterclockwise to grind setting No. 9.
7. With a screw driver hold the position of the adjusting screw, then loosen the locking screws.
8. While still holding the position of the adjusting screw, turn the knob to grind setting No. 10.
9. Tighten locking screw.
10. The grinder is now adjusted to the original factory settings.