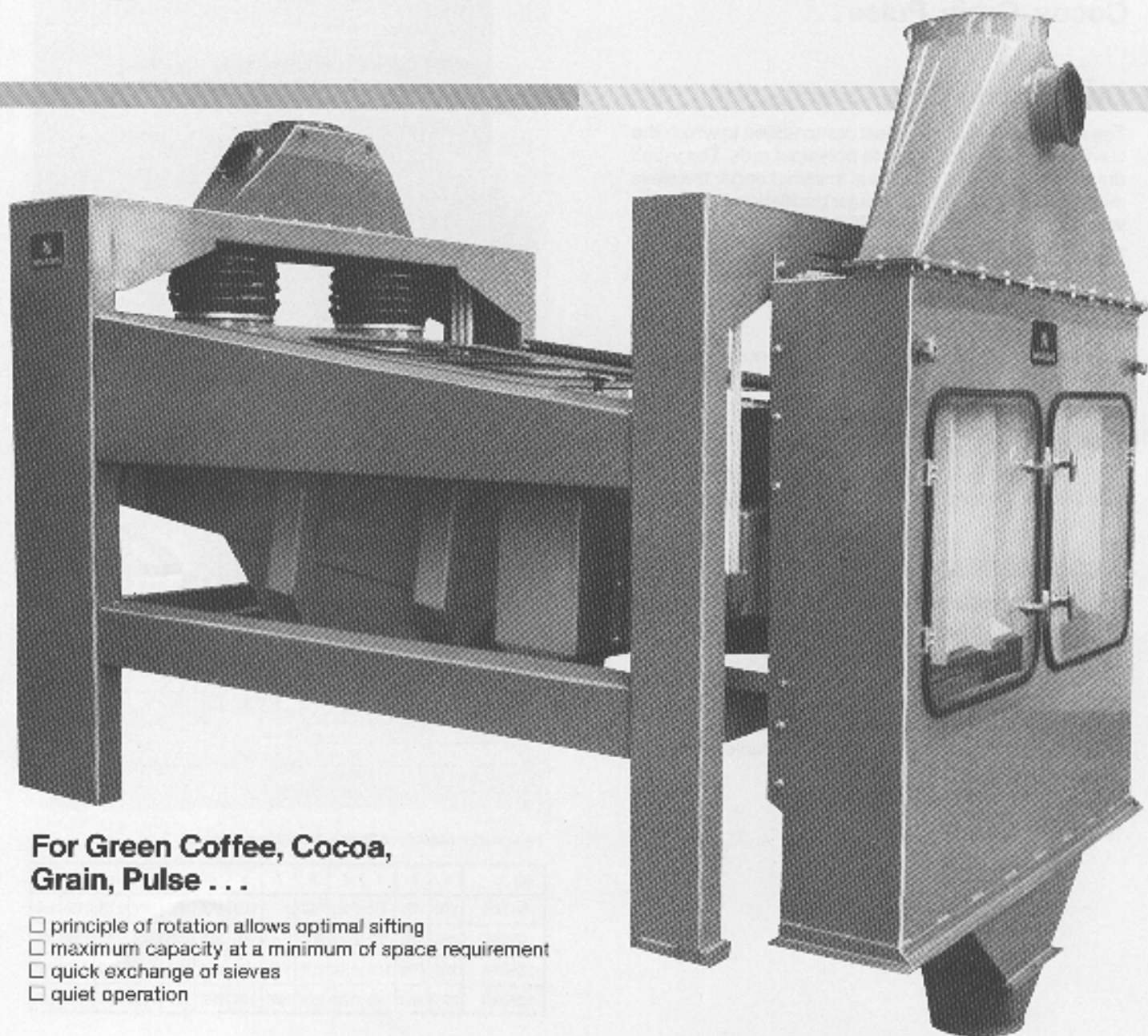


High Capacity Cleaning Machine Model PSM



**For Green Coffee, Cocoa,
Grain, Pulse . . .**

- principle of rotation allows optimal sifting
- maximum capacity at a minimum of space requirement
- quick exchange of sieves
- quiet operation

High Capacity Cleaning Machine Model PSM for Green Coffee, Cocoa, Grain, Pulse . . .

Construction:

The sifter frame is a rigid steel construction in which the sieve magazine is mounted to polyamid rods. The v-belt drive with oscillating weights is installed under the sieve magazine and provides a circular oscillation, infinitely variable up to a maximum of 30 mm.

The sieve magazine is made of steel and dust-tight, in- and outlets have bellows. The sieves in drawer construction are easily exchangeable. Rubber balls between sieves and tray clean the sieve.

An attached vertical-separator removes dust and other light particles with an adjustable airstream.

Capacities:

Size 1: max. 10 to/h
Size 2: max. 20 to/h

Size 3: max. 40 to/h
Size 4: max. 60 to/h

Accessories:

Dust cyclone separator with airlock, fan, piping and dust filter.

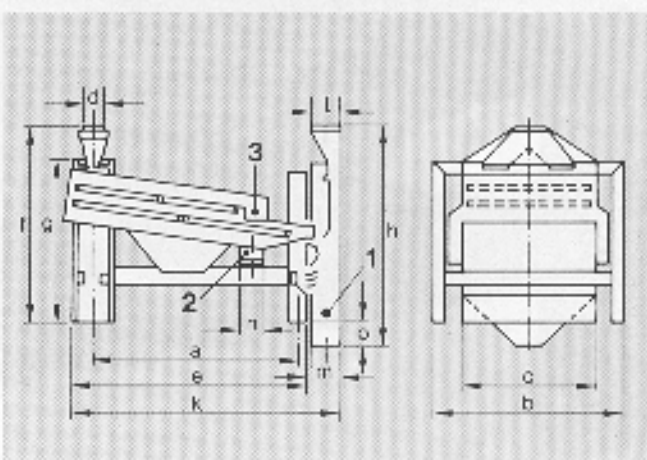
Special Design:

Rotating-sifter (without vertical-separator) for control sieving of bulk products of any kind available with a maximum of three sieves.

Technical data subject to change



Sieve Magazine - open



1 cleaned material - 2 fines - 3 coarse particles

Size	a	b	c	d	e	f	g	h	k	l	m	n	o
615 IP-S	1420	1100	610	∅120	1650	-	1520	1700	1500	∅250	1700	∅150	200
1020 IP-S	1850	1300	800	∅200	2110	-	1520	2000	2300	∅250	1700	∅200	300
1220 IP-S	1850	1700	1210	∅200	2110	1300	1520	2000	2300	∅300	1700	∅200	300
1525 IP-S	2275	1950	1490	∅250	2650	1300	1620	2150	2300	∅350	1700	∅200	300