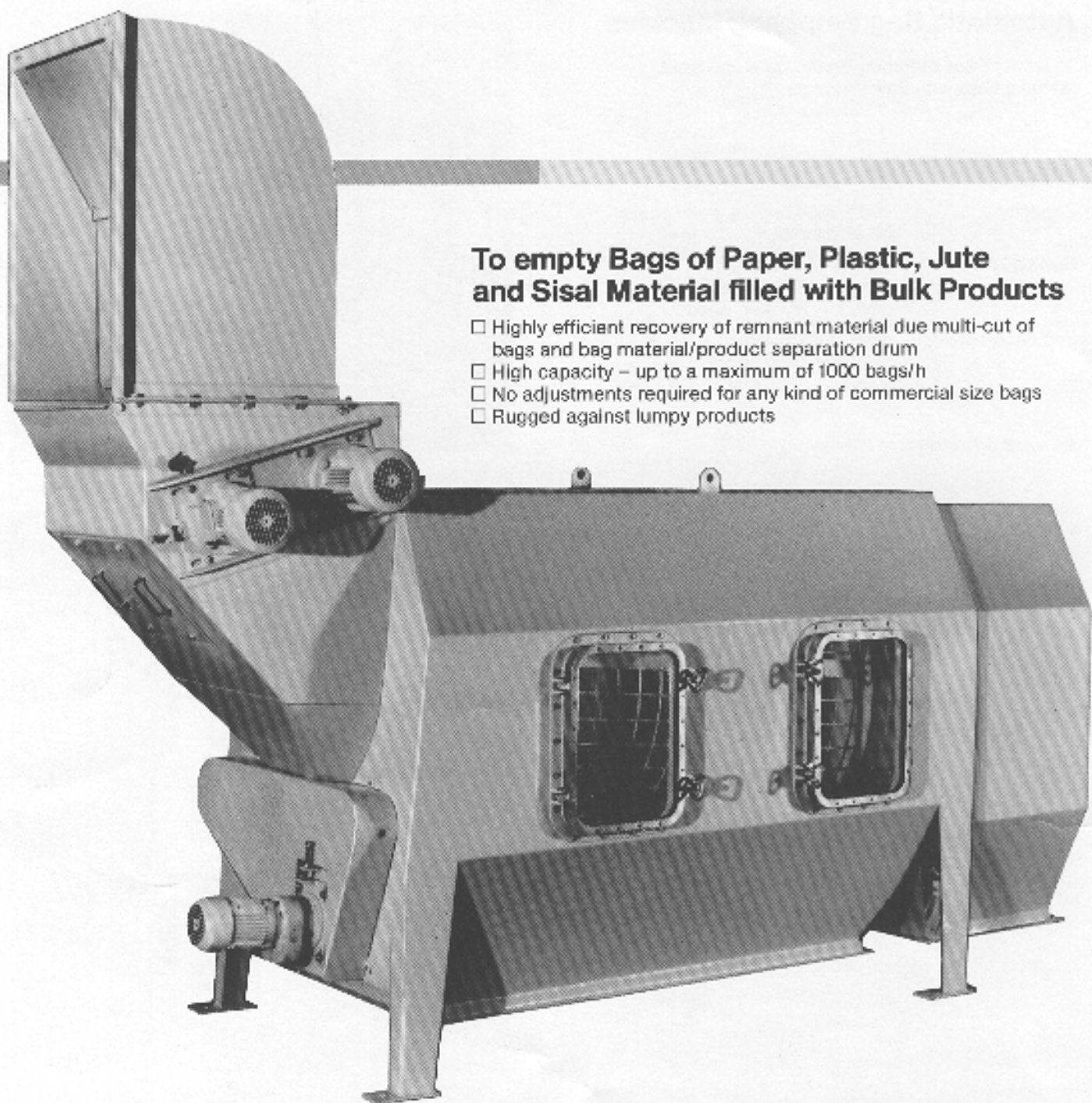


Automatic Bag Emptying Machine



To empty Bags of Paper, Plastic, Jute and Sisal Material filled with Bulk Products

- Highly efficient recovery of remnant material due multi-cut of bags and bag material/product separation drum
- High capacity – up to a maximum of 1000 bags/h
- No adjustments required for any kind of commercial size bags
- Rugged against lumpy products



neuhaus

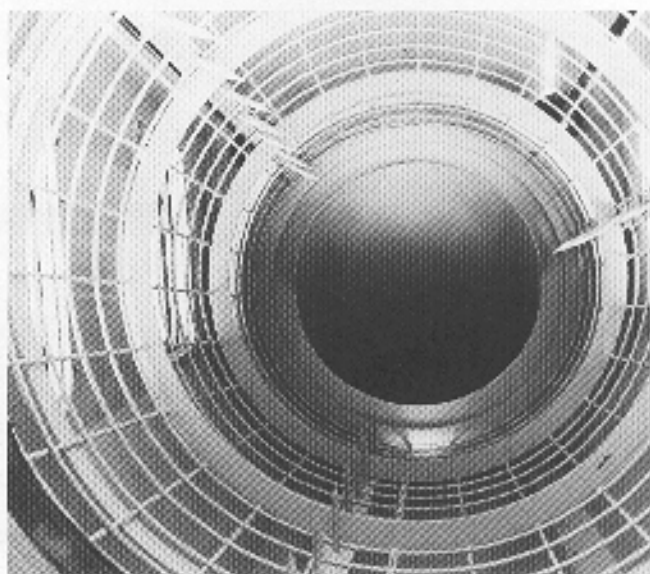
Automatic Bag Emptying Machine

To empty Bags of Paper, Plastic, Jute and Sisal
Material filled with Bulk Products

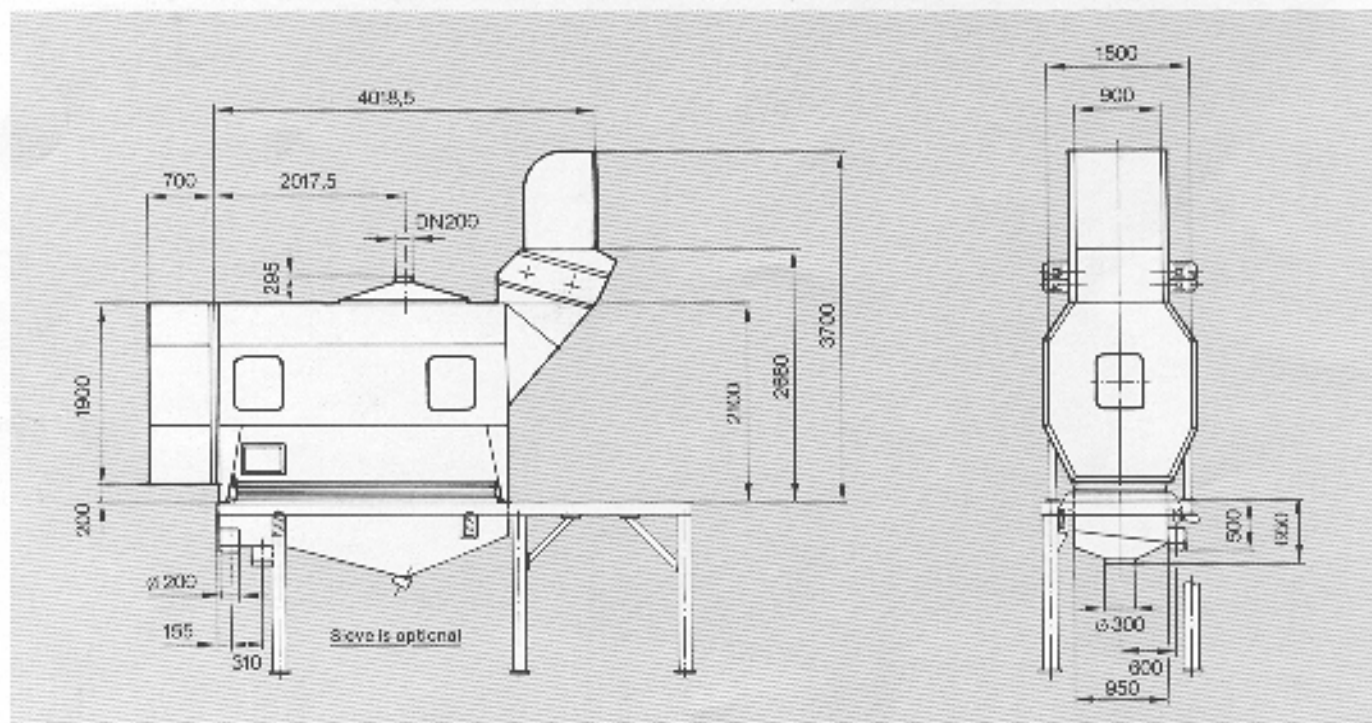
Technical Data

- Capacity : 800 – 1000 bags/h green coffee
(as an example)
- Cutting knives : total of 4
diameter 500 mm each
drive 3.0 kW each
- Separation drum: drive 2.2 kW
diameter 1250 mm
length 3000 mm

Technical data subject to change



Separation Drum



Dimensions

NEUHAUS Maschinen- und Anlagenbau GmbH Fockestr. 67 · D-2875 Ganderkesee / Oytenkamp
Phone: (04221) 859-0 · Telefax: (04221) 85910

NEUHAUS NEOTEC GmbH · Güterbergweg 48 · D-2000 Norderstedt · Phone: (040) 528 40 93 · Telefax: (040) 528 14 34

in USA: Sales Representative MODERN PROCESS EQUIPMENT, Inc.
3150 So. Kolin Ave · Chicago IL 60623 · Phone: (312) 254-3929 · Fax: (312) 254-3935

Other World Agents upon request