

# MODEL GPX COFFEE GRINDER

## Precision Disc-Style Coffee Grinder for All Grind Types



The Model GPX is an industrial disc-style grinder designed to run continuously and deliver a superior coffee grind. The GPX uses 5.5 inch diameter “diamond hard” grinding discs that are precision-cut to optimize cutting action with infinite adjustment control, resulting in a cool, uniform coffee grind for optimal brew performance.

- Simple and reliable
- Infinite grind adjustment
- Easy to clean and operate
- “Diamond hard” grinding discs

### ACCOMODATES ALL GRIND SIZES

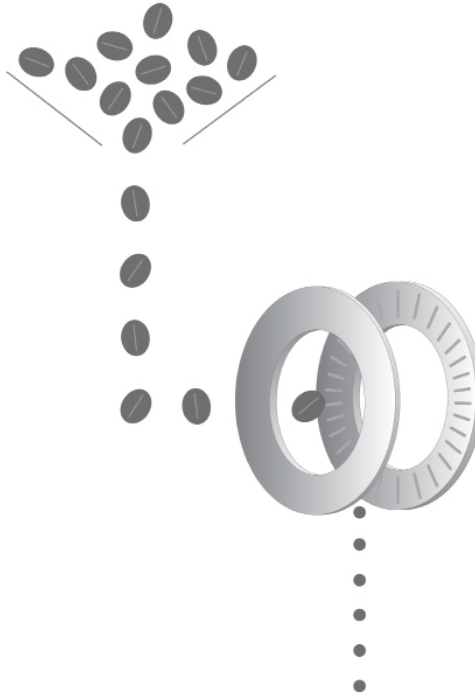
ESPRESSO	FLAVORED COFFEE
DRIP	VENDING
REGULAR	COARSE



**MODERN PROCESS EQUIPMENT CORPORATION**

**THE WORLD'S LEADING MANUFACTURER OF COFFEE GRINDING EQUIPMENT**

SERIES GPX



Precision  
Disc-Style  
Grinder



#### SPECIFICATIONS

- Disc Size:** 5.5 inches [140 mm] in diameter  
Grinding Discs can be re-sharpened
- Motor:** 3 HP [2.2 kW] / 1 or 3 phase / 50 or 60 Hz available
- Grind Range:** Espresso - Coarse [200-3000 microns]
- Capacity:** 200-500 lbs/hr [90-225 kg/hr], espresso to coarse respectively
- Drawing:** Available for download on website



#### FEATURES AND OPTIONS

- Floor or Bench mounted configurations available, per drawing.
- Designed for fast and easy cleanout – By simply removing three dial plate knobs, the entire grinding chamber can be removed and cleaned in minutes.
- Simple maintenance and operation – With few moving parts, maintenance and operation are easy.
- Engineered Discs – Grinding discs are engineered to deliver optimal grind uniformity and minimize heat.
- Sharp teeth and ultra-hard metal alloys ensure both performance and disc longevity. Economical re-sharpening also available.
- Hopper Sizes: 0.4 cu-ft (8 lb, standard) or 1.5 cu-ft (25 lb, optional)
- Bag holder tray (standard) or larger tote container (optional) for ground product collection.
- Hopper grate magnet (optional)



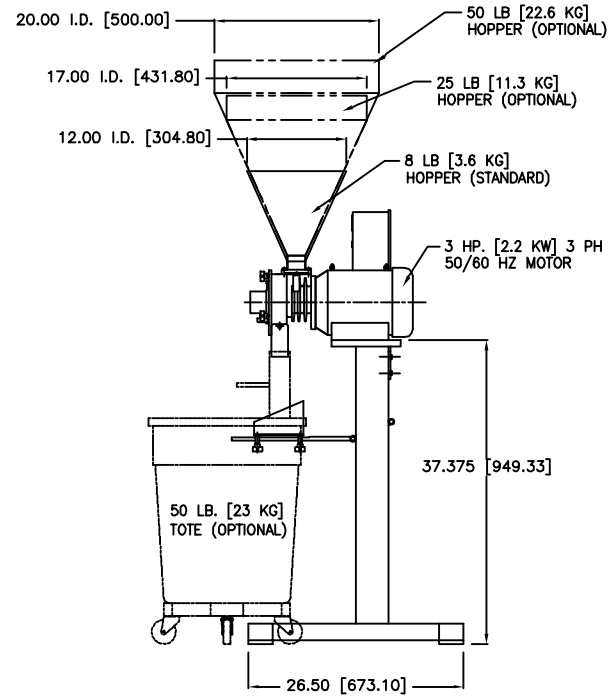
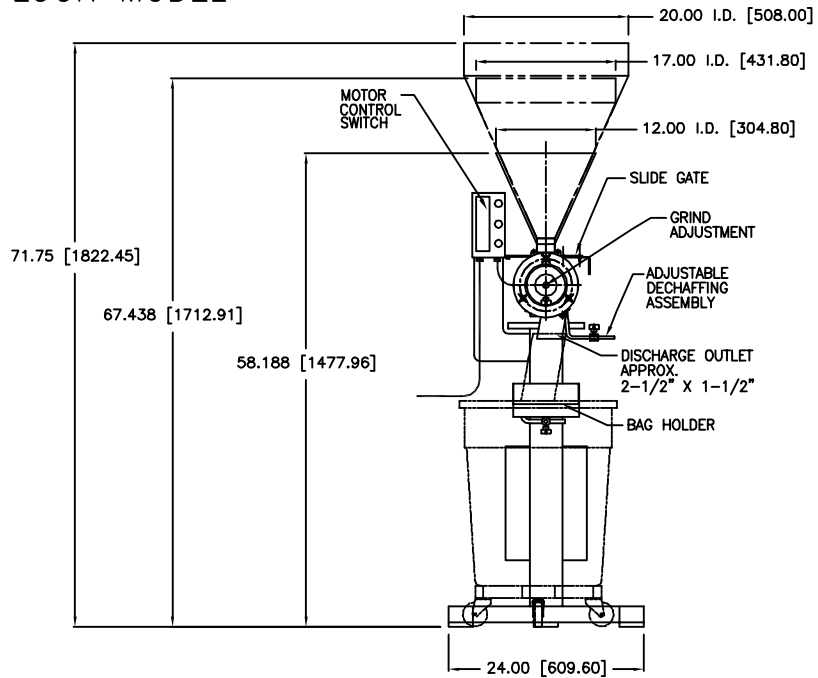
**MODERN PROCESS EQUIPMENT CORPORATION**

[mpechicago.com](http://mpechicago.com)  
[solution@mpechicago.com](mailto:solution@mpechicago.com)

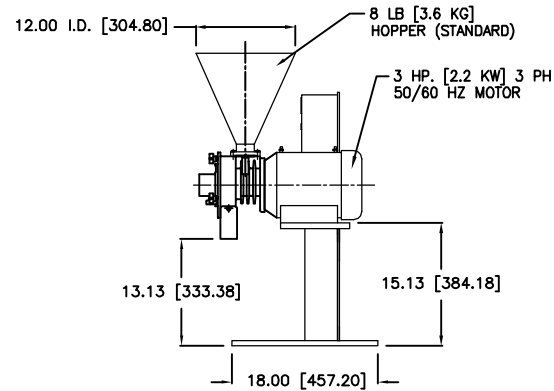
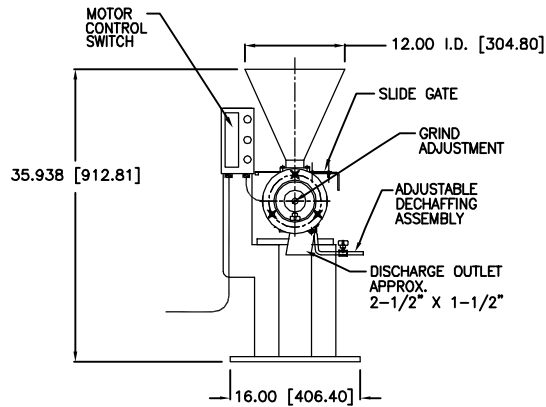
3125 South Kolin Avenue  
Chicago, Illinois 60623  
U.S.A.

P +1 773 254 3929  
F +1 773 254 3935

# FLOOR MODEL



# BENCH MODEL



## NOTES:

1. DIMENSIONS WILL BE INDICATED AS FOLLOWED, 1 [25.4]

ENGLISH (IN) — METRIC (MM)

GPX Specifications			
Motor: Heavy Duty (3) Three HP TEFC 3 Phase 60 HZ 230/460 VAC (1750 RPM) ( Single Phase, 50 HZ, And Special Voltages Available)			
Shipping Weight: 230 LBS (104 KGS)			
MATERIAL		USED ON UNIT	
PATTERN NO.		MPE	
REV.		CHANGE	
DATE		BY	
		DRAWN RR DATE 1/6/09 CHECKED PART NO. SG-7607	
NAME OF PART MODEL GPX COFFEE GRINDER		SCALE 8 C	