

# MODEL GPC-140 COFFEE GRINDER

**High Capacity Disc-Style Coffee Grinder for All Grind Types**



The Model GPC-140 is an industrial disc-style grinder designed to run continuously and deliver a superior coffee grind. The GPC-140 uses 7.1 inch diameter “diamond hard” grinding discs that are precision-cut to optimize cutting action with infinite adjustment control, resulting in a cool, uniform coffee grind for optimal brew performance.

- High Capacity
- Infinite grind adjustment
- Easy to clean and operate
- “Diamond hard” grinding discs

**ACCOMODATES ALL GRIND SIZES**

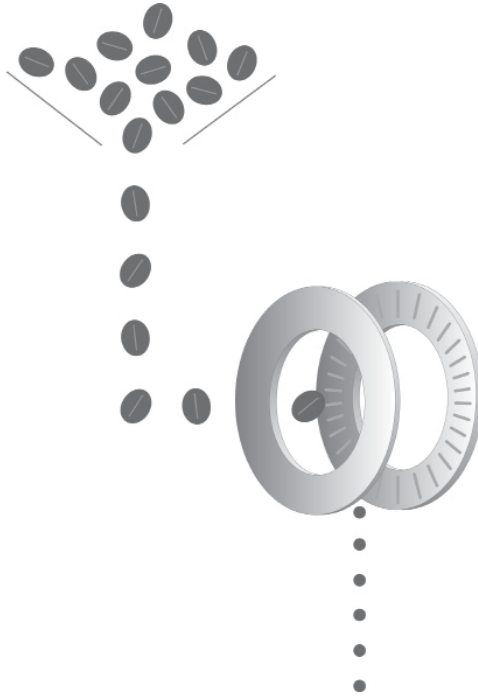
ESPRESSO	FLAVORED COFFEE
DRIP	VENDING
REGULAR	COARSE



**MODERN PROCESS EQUIPMENT CORPORATION**

**THE WORLD'S LEADING MANUFACTURER OF COFFEE GRINDING EQUIPMENT**

SERIES GPC-140



Precision  
Disc-Style  
Grinder



#### SPECIFICATIONS

- Disc Size:** 7.1 inches [180 mm] in diameter  
Grinding Discs can be re-sharpened
- Motor:** 5 HP [3.7 kW] / 3 phase / 50 or 60 Hz available
- Grind Range:** Espresso - Coarse [200-3000 microns]
- Capacity:** 400-1000 lbs/hr [180-450 kg/hr], espresso to coarse respectively
- Drawing:** Available for download on website

#### FEATURES AND OPTIONS

- Designed for fast and easy cleanout – By simply removing three dial plate knobs, the entire grinding chamber can be removed and cleaned in minutes.
- Simple maintenance and operation – With few moving parts, maintenance and operation are easy.
- Various grinding discs offered – Gourmet, flavored, and high capacity.
- Sharp teeth and ultra-hard metal alloys ensure both performance and disc longevity. Economical re-sharpening also available.
- Hopper Size: 4 cu-ft (75 lb)
- Bag holder tray (standard) or larger tote container (optional) for ground product collection.
- Hopper grate magnet (optional)

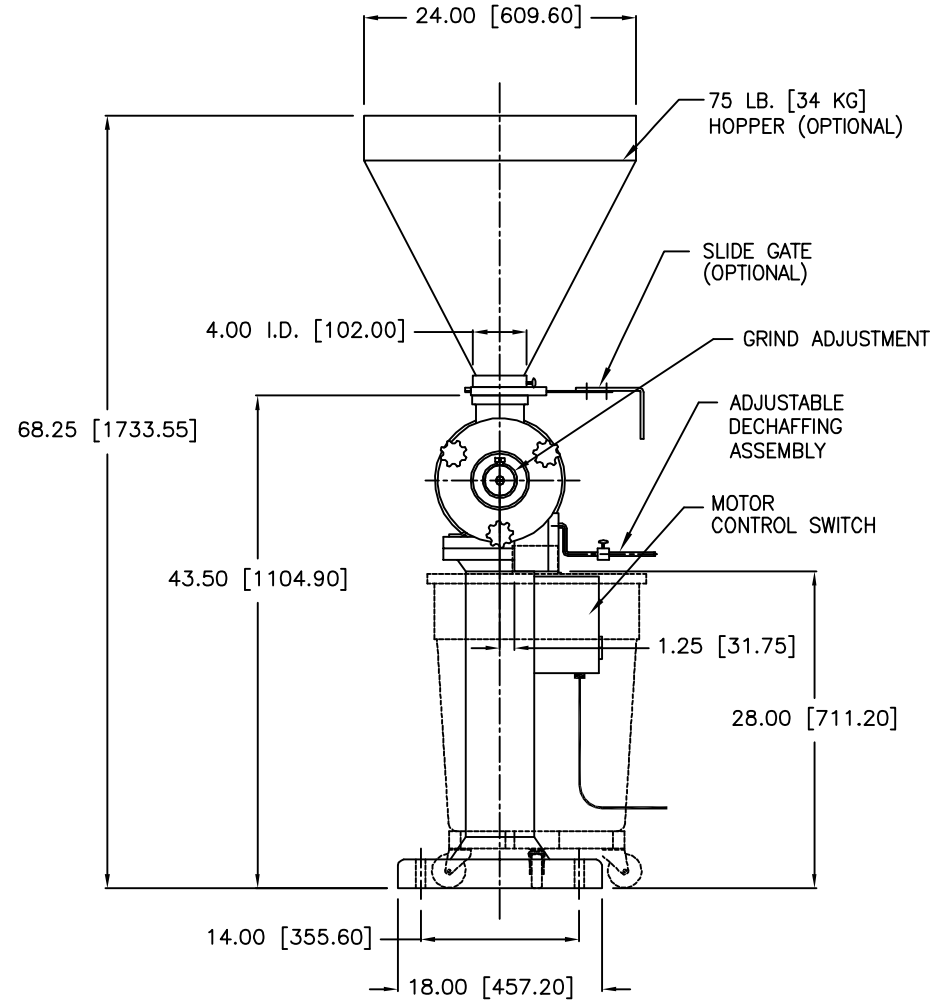
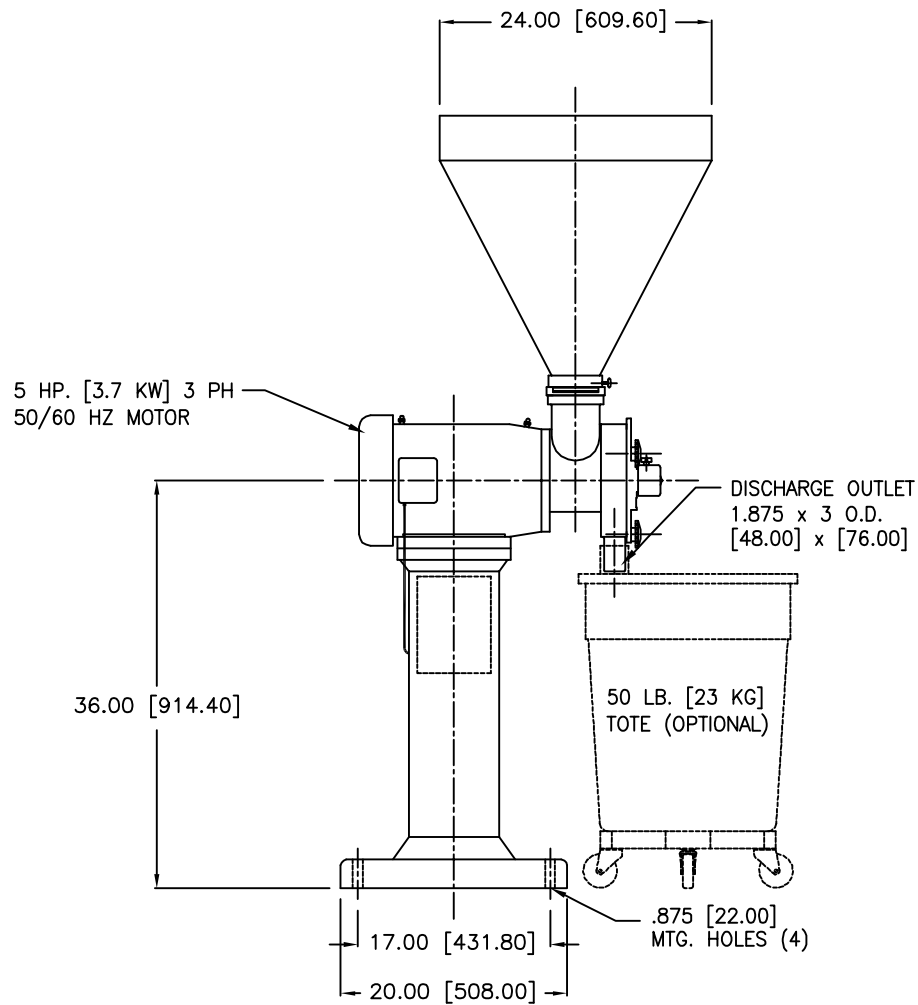


**MODERN PROCESS EQUIPMENT CORPORATION**

[mpechicago.com](http://mpechicago.com)  
[solution@mpechicago.com](mailto:solution@mpechicago.com)

3125 South Kolin Avenue  
Chicago, Illinois 60623  
U.S.A.

P +1 773 254 3929  
F +1 773 254 3935



### GPC-140 Specifications

Motor: Heavy Duty (5) Five HP TEFC 3 Phase 60 HZ 208-230/460 VAC (1200 RPM) (50 HZ And Special Voltages Available)

Motor Starter: Magnetic Style With Dust Proof Enclosure

Weights: Net: 400 LBS (182 KGS) Shipping w/Crate: 500 LBS (228 KGS)

Production Capacity: 600 LBS (275 KGS) Per Hour - Fine Grind  
1000 LBS (455 KGS) Per Hour - Course Grind


Hopper Capacity: Approximately 75 LBS (34 KGS)

#### NOTES:

1. DIMENSIONS WILL BE INDICATED AS FOLLOWED, 1 [25.4]

ENGLISH (IN)

METRIC (MM)

				MATERIAL	USED ON UNIT	 <b>MODERN PROCESS EQUIPMENT, Inc.</b> <small>3225 South Main Avenue, Chicago, Illinois 60628</small>	DRAWN	RR	SCALE
				PATTERN NO.	MPE		DATE	1/06/09	8
REV.	CHANGE	DATE	BY				CHECKED		
							NAME OF PART	PART NO.	
							MODEL GPC-140	GP-7606	C
							COFFEE GRINDER		